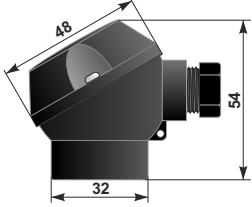
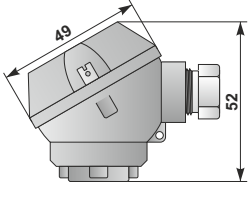
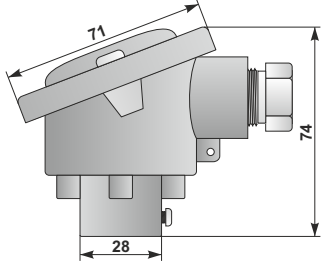
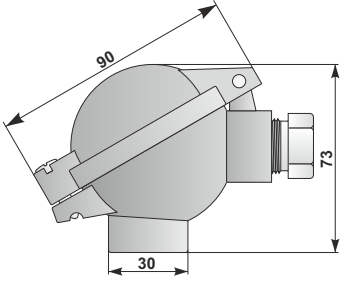
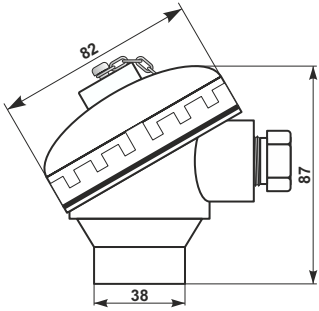
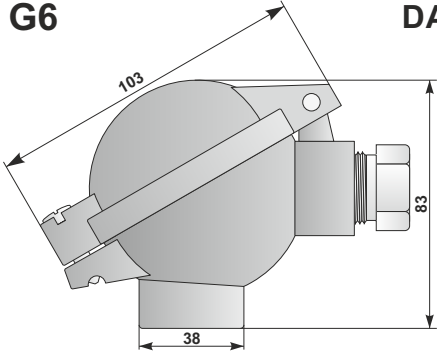
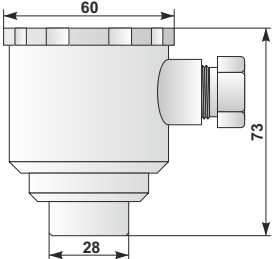
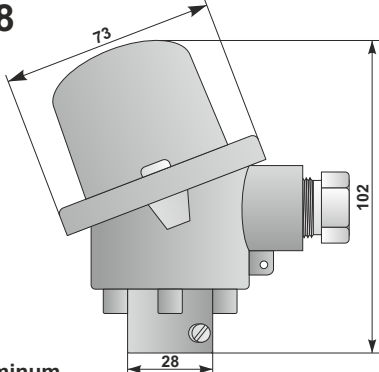
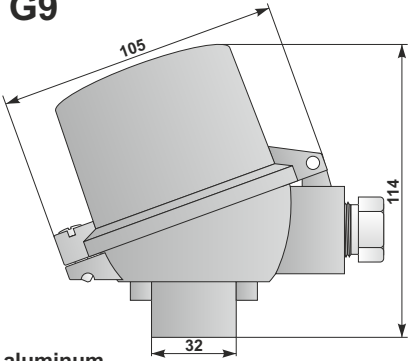
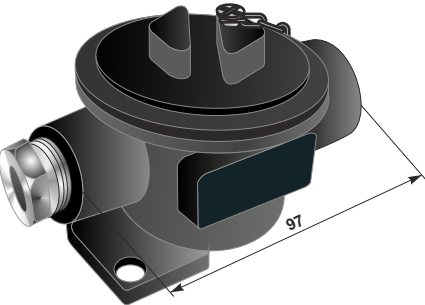
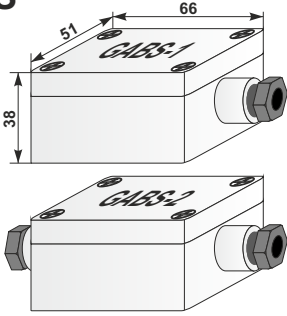


CODE LIST

TERMINAL HEADS

<p>G1 MI</p>  <p>itamid (polyamide GF30) IP65; (-20...+100°C)</p>	<p>G2 MA</p>  <p>aluminum IP66; (-40...+100°C) option (-40...+150°C)</p>	<p>G3 B</p>  <p>aluminum IP66; (-40...+100°C) option (-40...+150°C)</p>
<p>G4 NA</p>  <p>aluminum IP66; (-40...+100°C) option (-40...+150°C)</p>	<p>G5</p>  <p>polypropylene IP68; (-40...+100°C)</p>	<p>G6 DA</p>  <p>aluminum IP63; (-40...+100°C) option (-40...+150°C)</p>
<p>G7</p>  <p>stainless steel IP68; (-40...+100°C) option (-40...+150°C)</p>	<p>G8</p>  <p>aluminum IP66; (-40...+100°C) option (-40...+150°C)</p>	<p>G9</p>  <p>aluminum IP66; (-40...+100°C)</p>
<p>G10</p>  <p>aluminum IP68; (-40...+100°C)</p>	<p>GABS</p>  <p>ABS IP65; (-40...+85°C)</p>	

A